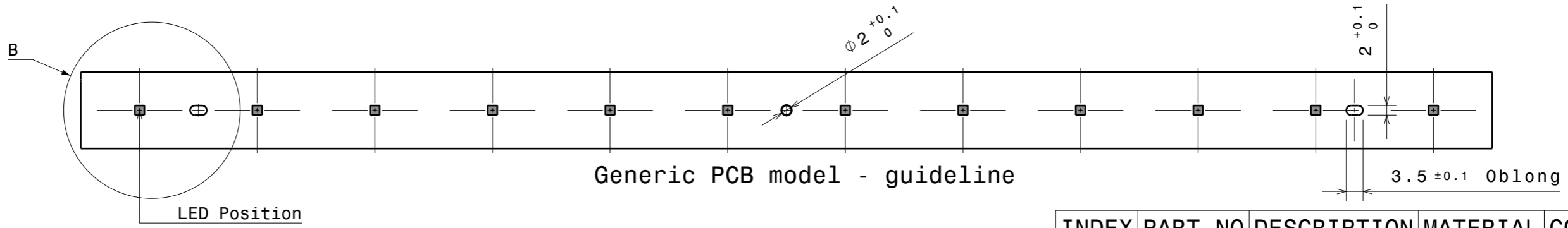
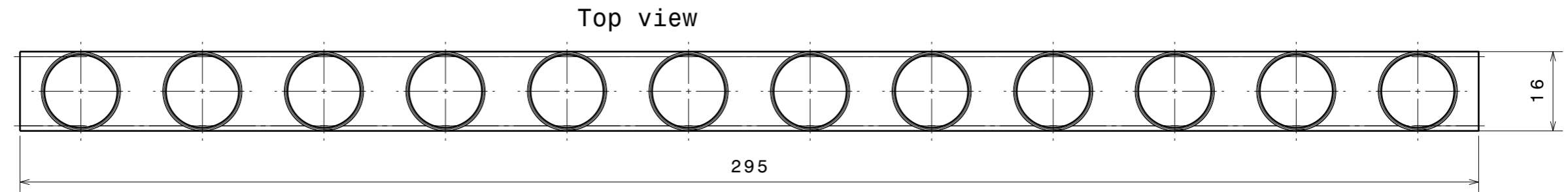
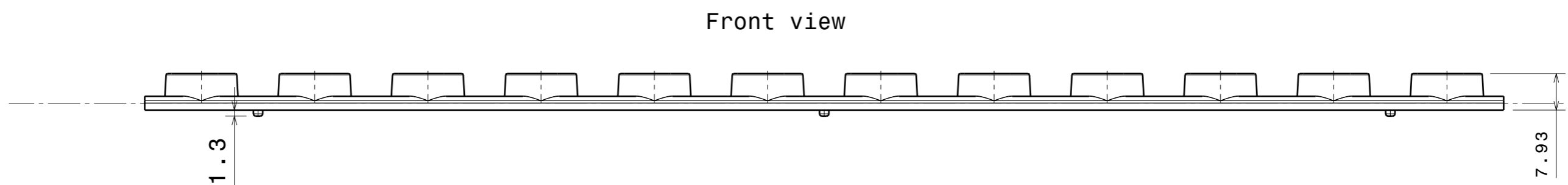
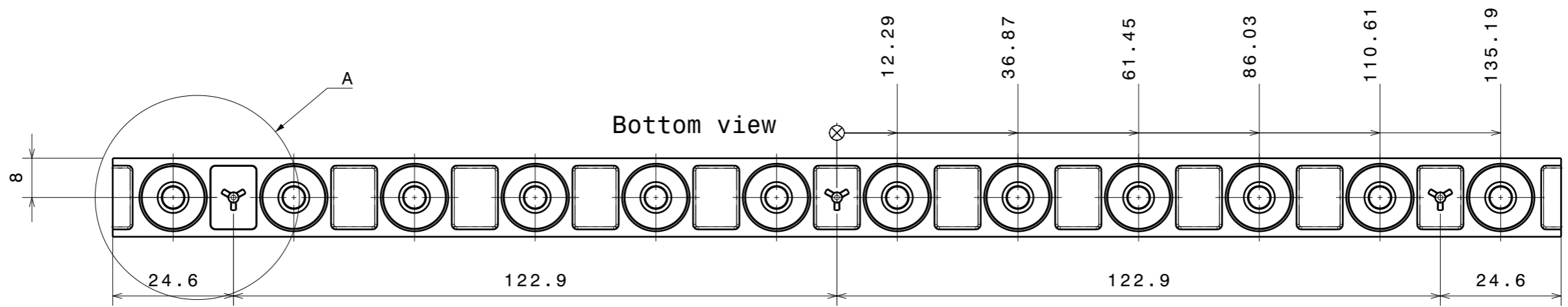
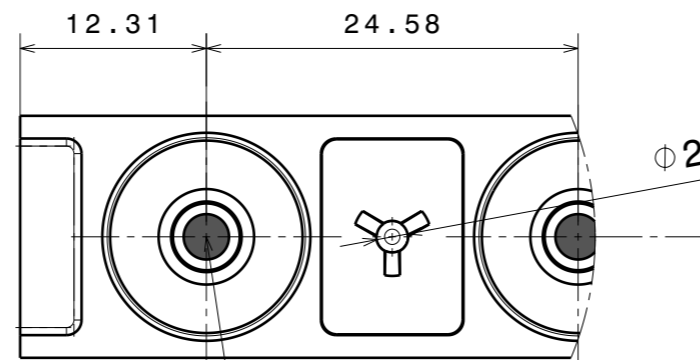
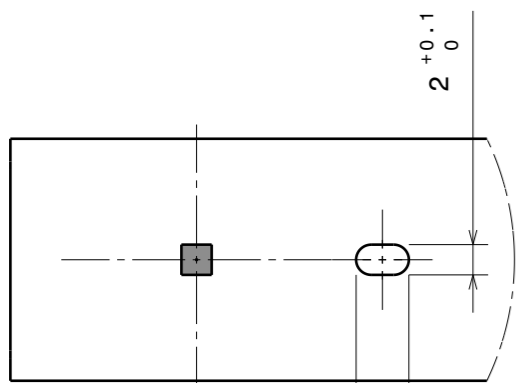
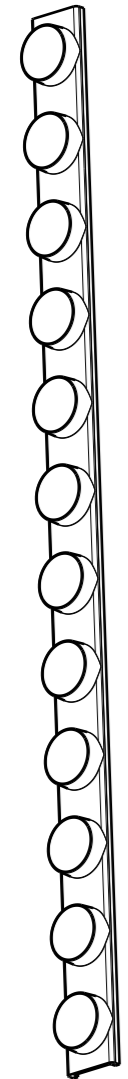


H G F E D C B A



Isometric view
Scale: 1:2



INDEX	PART NO	DESCRIPTION	MATERIAL	COLOUR
1	Datasheet	VANESSA	PMMA	Clear

LEDiL LediL Oy
Salorankatu 10
FIN 24240 SALO
Finland

Tolerances if not otherwise shown
Linear measures: class M
according to DIN ISO 2768-1
Form and position: class K
according to DIN ISO 2768-2

THIRD ANGLE PROJECTION:

This drawing is the property of LEDiL Oy. It may not be reproduced, copied or communicated without a written agreement with LEDiL Oy."

DRAWING TITLE
Datasheet_VANESSA

SIZE PART NUMBER
A3 -

SCALE WEIGHT SHEET
1:1 (g) 1/1

H G B A